



Pressure transmitter

Huba Control

OEM Relative and absolute pressure transmitter

Type 515

Type 515 pressure transmitter with cable connection meets the highest demands for industry and vehicle manufacturing applications.

The compact and robust mechanical design incorporating protection standard IP69K allows the use in stringent conditions.



Pressure range
-1 ... 0 – 600 bar

- + Compact, rugged construction for highest operational reliability
- + Negligible temperature influence on accuracy
- + Excellent EMC capacity

Technical overview

Pressure range ¹⁾

Relative	-1 ... 0 – 600 bar
Absolute	0 ... 25 bar

Operating conditions

Medium	Liquids	
Temperature	FPM	-15 ... +125 °C
	EPDM	-25 ... +125 °C
	NBR	-25 ... +85 °C
	FPM spec.	-40 ... +150 °C
	Ambient	max. +85 °C
Tolerable overload / Rupture pressure ²⁾	< 6	3.0 x fs
	≥ 6	2.5 x fs (max. 900 bar)

Materials

Case	Stainless steel 1.4305 / AISI 303	
Materials in contact with the medium	Pressure connection	Stainless steel 1.4305 / AISI 303
	Sensor	Ceramic Al ₂ O ₃ (96%)
	Media stop system	PPS
	Sealing material	FPM, EPDM, NBR, FPM spec.

Media stop system

Patented media stop system to prevent media egress when exceeding rupture pressure range (> 40 bar nominal value).

Electrical overview

	Output	Power supply	Load	Current consumption ³⁾
2 wire	4 ... 20 mA	8.0 ... 33 VDC	$< \frac{\text{supply voltage} \cdot \Delta V}{600 \text{ A}}$ [Ohm]	< 20 mA
	0 ... 5 V	8.0 ... 33 VDC	>10 kOhm / < 100 nF	< 4 mA
3 wire	1 ... 6 V	8.0 ... 33 VDC	>10 kOhm / < 100 nF	< 4 mA
	0 ... 10 V	11.4 ... 33 VDC	>10 kOhm / < 100 nF	< 4 mA
	0 ... 10 V	24 VAC ±15%	>10 kOhm / < 100 nF	< 4 mA
	ration. 10 ... 90%	5 VDC ±5%	>10 kOhm / < 100 nF	< 4 mA
Polarity reversal protection	Short circuit proof and protected against polarity reversal. Each connection is protected against crossover up to max. supply voltage.			
Insulation voltage	standard			500 VDC
	optional			1000 VDC

Dynamic response

Response time	< 2 ms, typ. 1 ms
Load cycle	< 100 Hz

Protection standard

IP 69K	Electrical connection Cable PUR 1.5 m
--------	--

Pressure connection

Inside thread	G 1/4, with O-Ring seal
	G 1/4, sealed at back, DIN EN ISO 1179-2
Outside thread	G 1/2, sealed at front
	G 1/2, sealed at back and manometer (combi)
	1/4, -18 NPT
	R 1/4, EN 10226
	M12x1.5 sealed at back, DIN EN ISO 1179-2
	M14x1.5 sealed at back, DIN EN ISO 1179-2

Installation arrangement

Unrestricted

Tests / Admissions

Electromagnetic compatibility	CE conformity acc. EN 61326-2-3
Shock acc. IEC 60068-2-27	40 g, 6 ms half sine wave, all 3 directions. Free fall from 2 m on concrete (6x)
Constant shock acc. IEC 60068-2-29	40 g for 6 ms, 1000 x all 3 directions
Vibration acc. IEC 60068-2-6	25 g, 2 ... 2000 Hz with amplitude ± 15 mm, 1 Octave/min. all 3 directions, 50 constant load

Weight

With thread G 1/2	~ 225 g
All other versions	~ 180 g

Packaging (Please state on order)

Single packaging in cardboard
Multiple packaging in cardboard per 25 pcs.

Accuracy

Test conditions: 25 °C, 45% RH, power supply 24 VDC
TC z.p. / TC s. -25 ... +85 °C

Parameter	Unit		
Tolerance zero point	max.	% fs	± 0.3
Tolerance full scale	max.	% fs	± 0.3
Resolution		% fs	0.1
Total of linearity, hysteresis and repeatability	max.		
Long term stability acc. DIN EN 60770		% fs	± 0.3
TC zero point ⁴⁾	max.	% fs/10K	± 0.15
TC sensitivity ⁴⁾	max.	% fs/10K	0/-0.3

¹⁾ Other pressure range on request

²⁾ Other overload and Rupture pressure on request

³⁾ At nominal pressure

⁴⁾ TC = Temperature coefficient

		1	2	3	4	5	6	7	8	9	10
Order code selection table in bar		515. X X X X X X X X X X X									
Pressure mode	Relative	9									
	Absolute	8									
Pressure range ¹⁾	-1 ... 0 bar	9	0	0							
	0 ... 1 bar		1	1							
	0 ... 1.6 bar		1	2							
	0 ... 2.5 bar		1	4							
	0 ... 4 bar		1	5							
	0 ... 6 bar		1	7							
	0 ... 10 bar		3	0							
	0 ... 16 bar		3	1							
	0 ... 25 bar		3	2							
	0 ... 40 bar	9	3	3							2
	0 ... 60 bar	9	4	0							2
	0 ... 100 bar	9	4	1							2,5
	0 ... 160 bar	9	4	2							2,5
	0 ... 250 bar	9	4	3							2,5
	0 ... 400 bar	9	5	4	6						2,5
	0 ... 600 bar	9	5	5	6						2,5
	▲ Full scale signal at these pressures										
Sealing material ²⁾	FPM	Fluoro elastomer			0						
	EPDM	Ethylene propylene			1						
	NBR	Butadiene Acrylonitrile			2						
	FPM spec.	Fluoro elastomer spec.			6						
Adjustment	Factory				0						
Output / power supply	0 ... 5 V	8.0 ... 33 VDC					1				
	1 ... 6 V	8.0 ... 33 VDC					6				
	0 ... 10 V	11.4 ... 33 VDC					2				
	4 ... 20 mA	8.0 ... 33 VDC					3				
	ration. 10 ... 90%	5 VDC ±5%					4				
Electrical connection	Cable 1.5 m PUR							0			
Pressure connection ³⁾	Inside thread	G ¼ with O-Ring seal								1	
		G ¼ sealed at back, DIN EN ISO 1179-2								4	
		G ½ sealed at front								9	
	Outside thread	G ½ sealed at back and manometer (combi)								8	
		¼ -18 NPT								3	
		R ¼, EN 10226								7	
		M12x1.5 sealed at back, DIN EN ISO 1179-2								5	
M14x1.5 sealed at back, DIN EN ISO 1179-2								6			
Version	Stainless steel	without media stopper									1
		with media stopper (standard from 40 bar)									2
		with pressure tip orifice (from 100 bar on)									5
Pressure range variation (optional)	Indicate W and state range on order (e.g.: W0... +8bar/OUT1...9V)										
											W

		1	2	3	4	5	6	7	8	9	10	
Order code selection table in psi		515. X X X X X X X X X X X										
Pressure mode	Relative	9										
	Absolute	8										
Pressure range ¹⁾	-30 ... 0"hg	9	A	0								
	0 ... 15 psi		B	1								
	0 ... 30 psi		B	4								
	0 ... 60 psi		B	5								
	0 ... 100 psi		B	7								
	0 ... 200 psi		C	1								
	0 ... 300 psi		C	2								
	0 ... 500 psi	9	C	3							2	
	0 ... 750 psi	9	D	0							2	
	0 ... 1000 psi	9	D	1							2,5	
	0 ... 2000 psi	9	D	2							2,5	
	0 ... 3000 psi	9	D	3							2,5	
	0 ... 5000 psi	9	E	4	6						2,5	
	0 ... 7500 psi	9	E	5	6						2,5	
	▲ Full scale signal at these pressures											
	Sealing material ²⁾	FPM	Fluoro elastomer			0						
		EPDM	Ethylene propylene			1						
NBR		Butadiene Acrylonitrile			2							
FPM spec.		Fluoro elastomer spec.			6							
Adjustment	Factory				0							
Output / power supply	0 ... 5 V	8.0 ... 33 VDC					1					
	1 ... 6 V	8.0 ... 33 VDC					6					
	0 ... 10 V	11.4 ... 33 VDC					2					
	4 ... 20 mA	8.0 ... 33 VDC					3					
	ration. 10 ... 90%	5 VDC ±5%					4					
Electrical connection	Cable 1.5 m PUR							0				
Pressure connection ³⁾	Inside thread	G ¼ with O-Ring seal								1		
		G ¼ sealed at back, DIN EN ISO 1179-2								4		
		G ½ sealed at front								9		
	Outside thread	G ½ sealed at back and manometer (combi)								8		
		¼ -18 NPT								3		
		R ¼, EN 10226								7		
		M12x1.5 sealed at back, DIN EN ISO 1179-2								5		
M14x1.5 sealed at back, DIN EN ISO 1179-2								6				
Version	Stainless steel	without media stopper									1	
		with media stopper (standard from 750 psi)									2	
		with pressure tip orifice (from 2000 psi on)									5	
Pressure range variation (optional)	Indicate W and state range on order (e.g.: W0... +120psi/OUT1...9V)											
											W	

¹⁾ Other pressure ranges on request

²⁾ Other sealing material on request

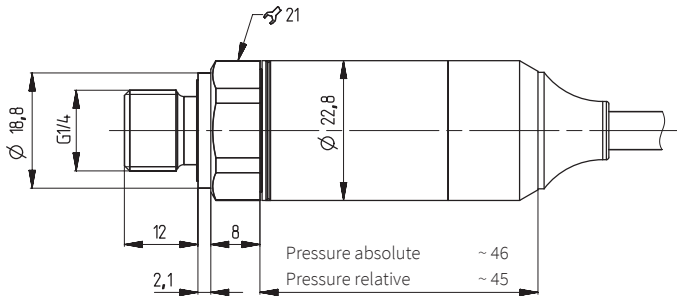
³⁾ Other pressure connection on request

Order code selection table in MPa		1	2	3	4	5	6	7	8	9	10
		515	X	X	X	X	X	X	X	X	X
Pressure mode	Relative	9									
	Absolute	8									
Pressure range ¹⁾	-0.1 ... 0 MPa	9	F	0							
	0 ... 0.1 MPa		G	1							
	0 ... 0.16 MPa		G	2							
	0 ... 0.25 MPa		G	4							
	0 ... 0.4 MPa		G	5							
	0 ... 0.6 MPa		G	7							
	0 ... 1 MPa		H	0							
	0 ... 1.6 MPa		H	1							
	0 ... 2.5 MPa		H	2							
	0 ... 4 MPa	9	H	3							2
	0 ... 6 MPa	9	K	0							2
	0 ... 10 MPa	9	K	1							2,5
	0 ... 16 MPa	9	K	2							2,5
	0 ... 25 MPa	9	K	3							2,5
	0 ... 40 MPa	9	L	4	6						2,5
0 ... 60 MPa	9	L	5	6						2,5	
▲ Full scale signal at these pressures											
Sealing material ²⁾	FPM	Fluoro elastomer		0							
	EPDM	Ethylene propylene		1							
	NBR	Butadiene Acrylonitrile		2							
	FPM spec.	Fluoro elastomer spec.		6							
Adjustment	Factory				0						
Output / power supply	0 ... 5 V	8.0 ... 33 VDC					1				
	1 ... 6 V	8.0 ... 33 VDC					6				
	0 ... 10 V	11.4 ... 33 VDC					2				
	4 ... 20 mA	8.0 ... 33 VDC					3				
	ration. 10 ... 90%	5 VDC ±5%					4				
Electrical connection	Cable 1.5 m PUR							0			
Pressure connection ³⁾	Inside thread	G ¼ with O-Ring seal								1	
		G ¼ sealed at back, DIN EN ISO 1179-2								4	
		G ½ sealed at front								9	
	Outside thread	G ½ sealed at back and manometer (combi)								8	
		¼ -18 NPT								3	
		R ¼, EN 10226								7	
		M12x1.5 sealed at back, DIN EN ISO 1179-2								5	
M14x1.5 sealed at back, DIN EN ISO 1179-2								6			
Version	Stainless steel	without media stopper									1
		with media stopper (standard from 4 MPa)									2
		with pressure tip orifice (from 10 MPa on)									
Pressure range variation (optional)	Indicate W and state range on order (e.g.: W0... + 0.8MPa/OUT1...9V)										W

¹⁾ Other pressure ranges on request

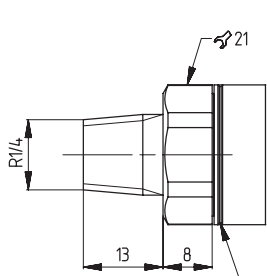
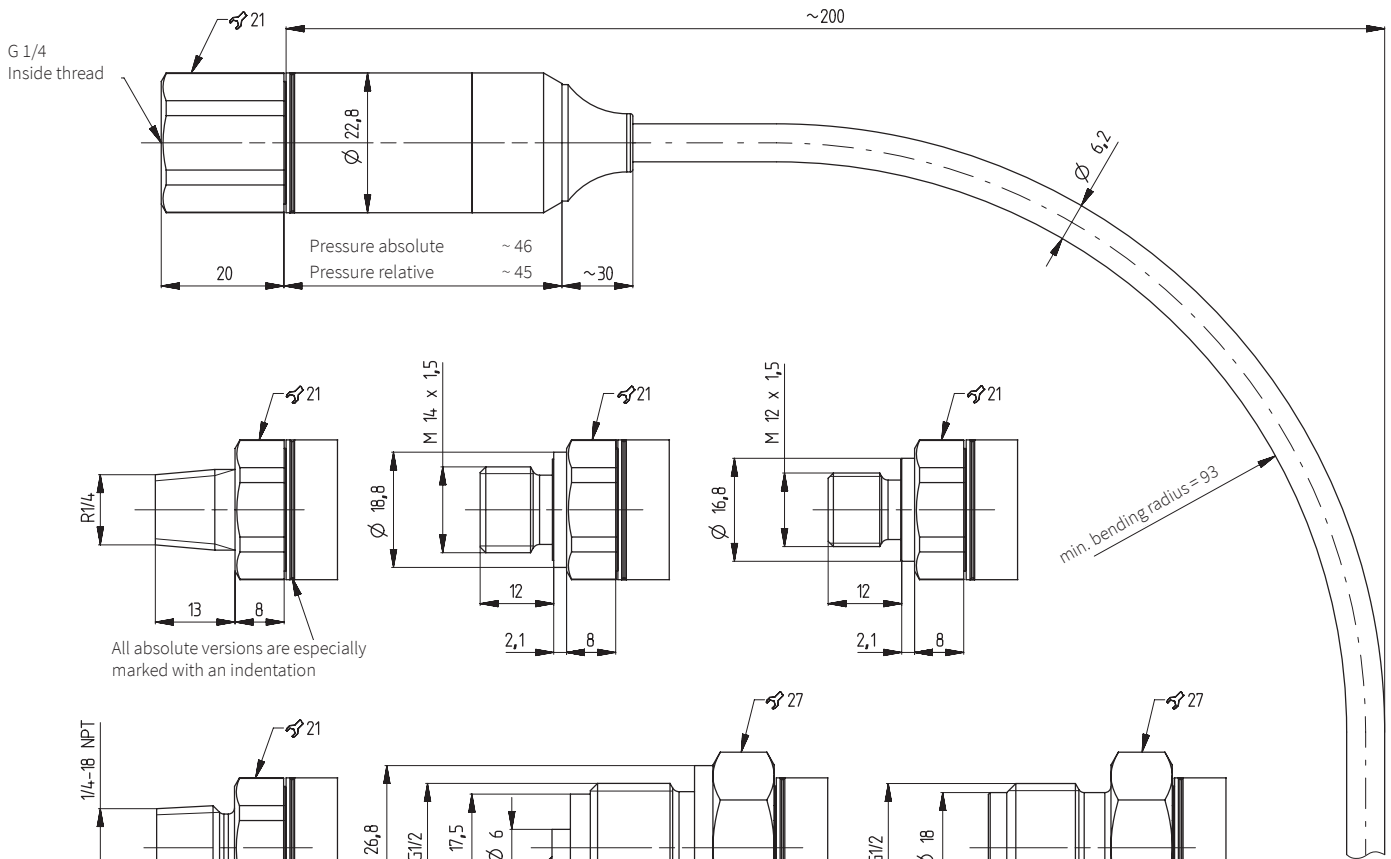
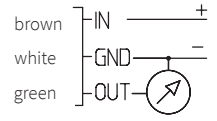
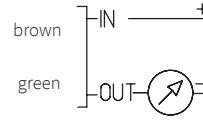
²⁾ Other sealing material on request

³⁾ Other pressure connection on request

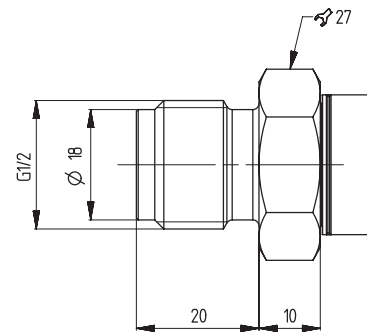
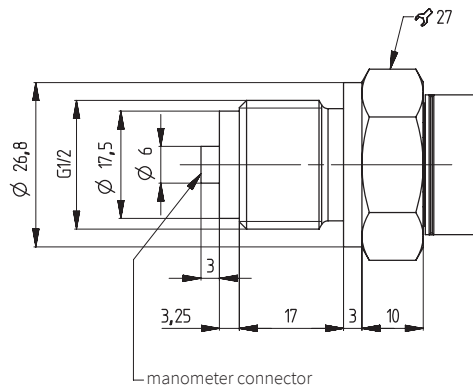
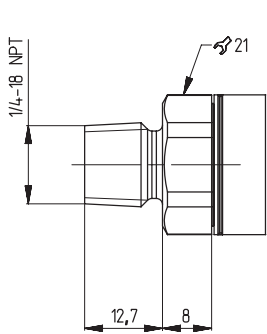
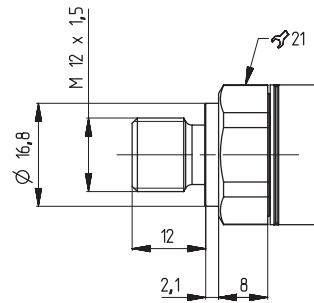
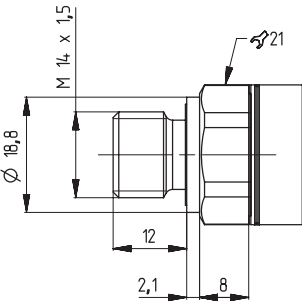


2-wire
(4 ... 20 mA)

3-wire



All absolute versions are especially marked with an indentation



Huba Control AG

Headquarters Schweiz
Industriestrasse 17
CH-5436 Würenlos
Telefon +41 56 436 82 00
Fax +41 56 436 82 82
info.ch@hubacontrol.com

Huba Control AG

Niederlassung Deutschland
Schlattgrabenstrasse 24
D-72141 Walddorfhäslach
Telefon +49 7127 2393 00
Fax +49 7127 2393 20
info.de@hubacontrol.com

Huba Control AG

Vestiging Nederland
Hamseweg 20A
NL-3828 AD-Hoogland
Telefoon +31 33 433 03 66
Telefax +31 33 433 03 77
info.nl@hubacontrol.com

Huba Control SA

Succursale France
Rue Lavoisier
Technopôle Forbach-Sud
F-57602 Forbach Cedex
Téléphone +33 3 87 84 73 00
Télécopieur +33 3 87 84 73 01
info.fr@hubacontrol.com

Huba Control AG

Branch Office United Kingdom
Unit 13 Berkshire House, County Park
Business Centre, Shrivenham Road
Swindon, Wiltshire SN1 2NR
Phone +44 1993 77 66 67
Fax +44 1993 77 66 71
info.uk@hubacontrol.com

www.hubacontrol.com

