



Pressure level transmitter

## Level sensing pressure transmitter Type 711

The level sensing pressure transmitters of type 711 with a relative pressure measuring cell have an adjusted and amplified sensor signal. Cable length from 3 to 300 meters as well as ex-versions and versions with drinking water approval are available.



**Pressure range**  
**0 ... 0.1 - 16 bar**

- + Ex-version available
- + Sea water resistant
- + High accuracy
- + Large variety of cable length (3 to 300 m)
- + Low pressure ranges

## Technical overview

### Pressure range

Relative 0 ... 0.1 - 16 bar

### Operating conditions

Medium	Fuel oil, ultra-light <sup>1)</sup>	SN 181 160-2
	Fuel oil, heavy <sup>1)</sup>	SN 181 160-2
	Diesel oil <sup>1)</sup>	
	Benzine <sup>1)</sup>	
	Sea water	
	Drinking water (with EPDM O-ring)	
Temperature	Medium and ambient <sup>2)</sup>	-10 ... +80 °C
	Storage	-20 ... +80 °C
Overload		see order code selection table

### Materials in contact with medium

Case	Stainless steel 1.4404 / AISI 316L
	Stainless steel 1.4539 / AISI 904L
Sensor	Ceramic Al <sub>2</sub> O <sub>3</sub> (99.6%)
Cable	PE / FEP
Cable grommet	PPE / ETFE
Protection cover	PPE / ETFE
Sealing material	FPM / EPDM

### Electrical overview

Output	Power supply	Load	Current consumption
2 wire 4 ... 20 mA	10 ... 33 VDC (with Ex - 10 ... 30 VDC)	$< \frac{\text{power supply} - 10 \text{ V}}{0.02 \text{ A}}$ [Ohm]	< 22 mA
Polarity reversal protection	Short circuit proof and protected against polarity reversal.		
Overvoltage protection			36 VDC
Electric strength towards case			500 VDC

### Dynamic response

Response time < 0.1 s

### Runtime

Time starts at the moment of application of minimal supply voltage < 1 s

### Electrical connection

Cable length 3 ... 300 m

### Protection standard

P 68, continuous immersion at max. overload (see order code selction table)

### Protection class

III

### Test / Admissions

Electromagnetic compatibility	CE conform acc. EN 61326-2-3
Drinking water approval	ACS
	WRAS
	Germanischer Lloyd
Shipbuilding	American Bureau of Shipping
	Bureau Veritas
	Det Norske Veritas
	Lloyd` s Register
UL	UL 61010-1
EAC	

### Ex-protection

IECEX SEV 12.006

SEV 12 ATEX 0138

Ex ia IIC T4 Ga

II 1 G Ex ia IIC T4 Ga

### Weight

Niveau transmitter ~ 375 g

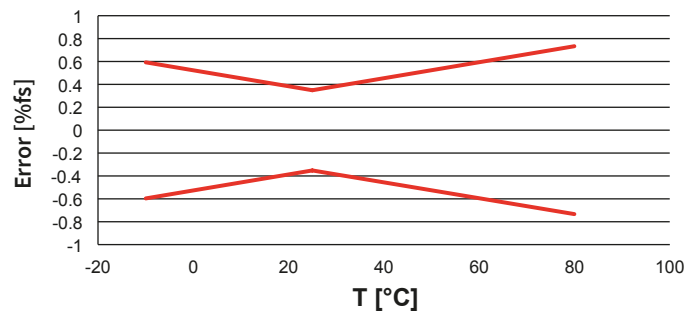
Cable ~ 80 g/m

### Packaging

Single packaging

## Accuracy

Parameter	Unit	
Characteristic line <sup>3)</sup> (at 25 °C)	% fs	± 0.35
Resolution	% fs	< 0.1
Long term stability acc. IEC EN 60770-1	% fs	± 0.25
Thermal characteristic <sup>4)</sup>	% fs/10K	± 0.07



<sup>1)</sup> Check Ex Zone for your application

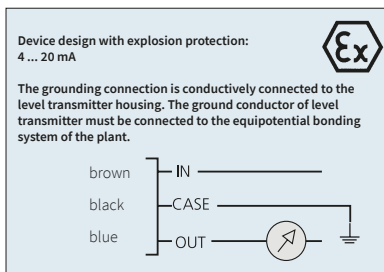
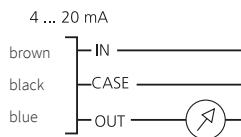
<sup>2)</sup> non-congealing media

<sup>3)</sup> incl. zero point, full scale, linearity, hysteresis and repeatability

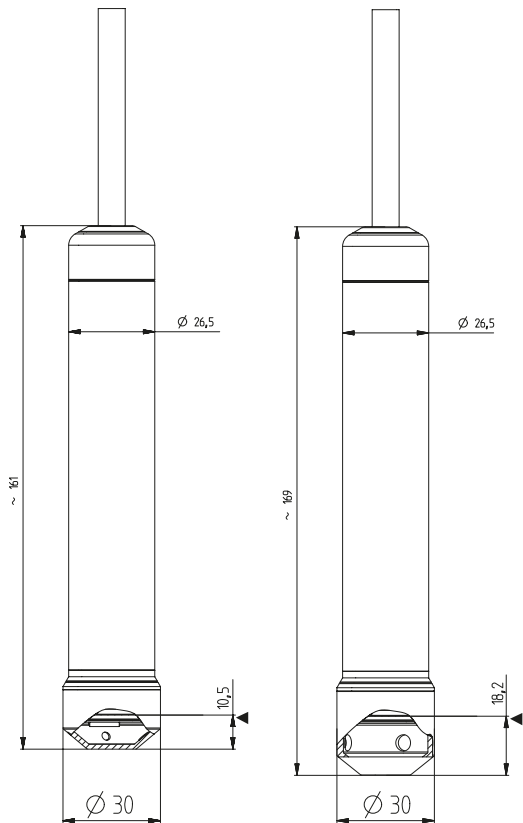
<sup>4)</sup> at -10 ... +80 °C

			1	2	3	4	5	6	7	8	9	10	11	
<b>Order code selection table</b>			711.	X	X	X	X	X	X	X	X	X	X	
<b>Pressure range <sup>1)</sup></b>		overload												
		0 ... 0.1 bar	1.5 bar	9	0	1								
		0 ... 0.2 bar	1.5 bar	9	0	2								
		0 ... 0.3 bar	1.5 bar	9	0	3								
		0 ... 0.4 bar	2 bar	9	0	4								
		0 ... 0.5 bar	2 bar	9	0	5								
		0 ... 0.6 bar	2 bar	9	1	0								
		0 ... 1.0 bar	5 bar	9	1	1								
		0 ... 2.0 bar	10 bar	9	1	3								
		0 ... 4.0 bar	20 bar	9	1	5								
		0 ... 6.0 bar	20 bar	9	1	7								
	0 ... 10.0 bar	20 bar	9	3	0									
	0 ... 16.0 bar	24 bar	9	3	1									
	▲ Full scale signal at these pressures													
<b>Sealing material</b>	FPM	Fluoro-elastomer						0						
	EPDM	Ethylene propylene (for drinking water)						1						
<b>Output / power supply</b>	4 ... 20 mA	10 ... 33 VDC (with Ex: 10 ... 30 VDC)						0						
<b>Electrical connection <sup>2)</sup></b>	Cable	3 m						0	1					
		5 m						0	2					
		7 m							0	3				
		10 m							0	4				
		15 m							0	5				
		20 m							0	6				
		25 m							0	7				
		30 m							0	8				
		40 m							0	9				
		50 m							1	0				
		60 m							1	1				
		70 m							1	2				
		80 m							1	3				
		90 m							1	4				
		100 m							1	5				
		125 m							1	6				
		150 m							1	7				
		175 m							1	8				
		200 m							1	9				
225 m							2	0						
250 m							2	1						
275 m							2	2						
300 m							2	3						
<b>Cable material</b>	PE	(for drinking water)								0				
	FEP									1				
<b>Case material</b>	Stainless steel 1.4404 / AISI 316L										0			
	Stainless steel 1.4539 / AISI 904L (recommend sea water)										1			
<b>Admission</b>	without											0		
	Ex protection (max. cable length 300 m)											1		
	Drinking water approval						1				0		2	
<b>Pressure range variation (optional)</b>	Indicate W and state range on order (e.g.: W 0 ... +3 bar/OUT 10 ... 16 mA)												W	

## Electrical connections



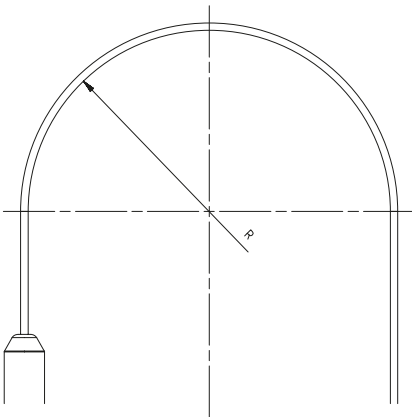
<sup>1)</sup> Other pressure range on request      <sup>2)</sup> Other cable length on request



← - Measurement reference height

Sensor with protection cover

Sensor with metal protection cage



**Bend radius**

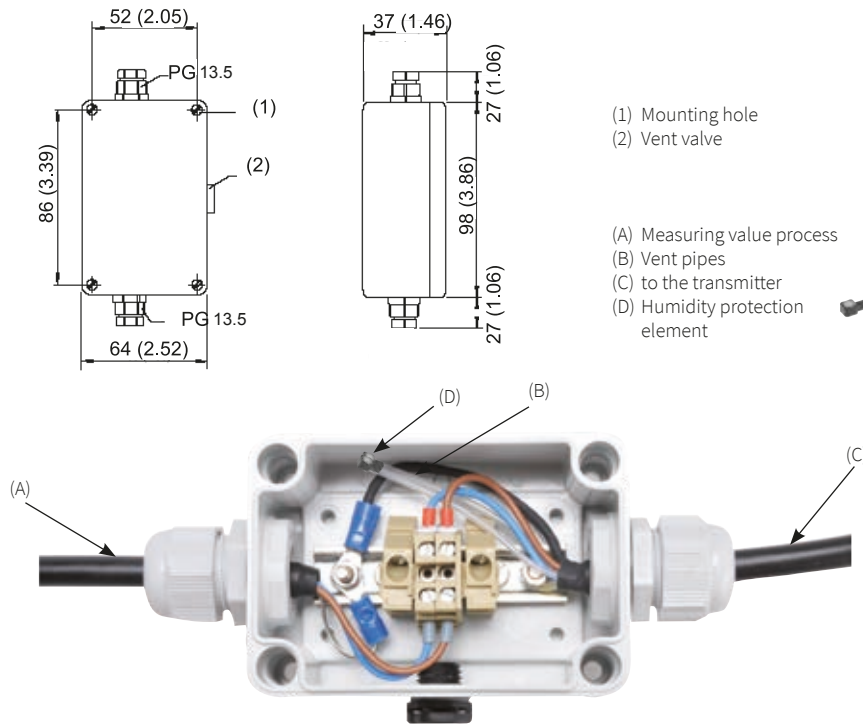
Cable material	fixed	flexible	Installation temp.	Temperature range
PE	≥ 100 mm	≥ 200 mm	0°C ... +60°C	-10°C ... +80°C
FEP	≥ 50 mm	≥ 100 mm	-20°C ... +60°C	-50°C ... +80°C

**Important:** The cable must NOT:

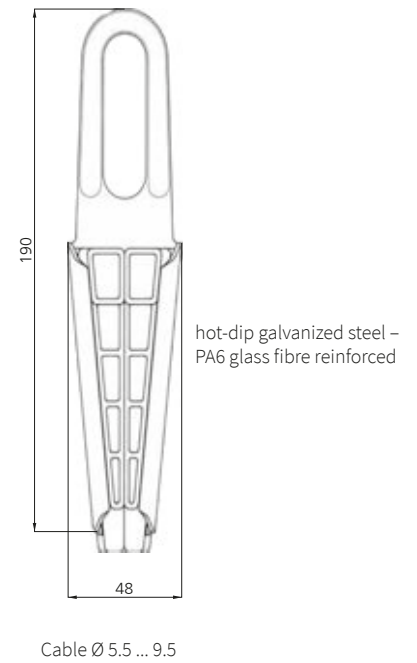
1. Be bent smaller than the bending radius.  
The individual wires on the inside are compressed, the individual wires on the outside are stretched and break off.
2. Be guided around sharp-edged corners.  
In addition to the risk of individual wires being torn off, there is also the risk of the isolation being worn through by e.g. vibration. Use cable bushings, corrugated pipes, edge protection, etc. to protect the cable when drilling holes.

Accessories <small>(delivery incl. - Level transmitter with plastic protection cover, humidity protection elements and operating instruction)</small>	Order number
Cable hanger	118835
Connection box	118836
Protection cage (stainless steel 1.4404 / AISI 316L)	118837
Protection cage (stainless steel 1.4539 / AISI 904L)	119688
Protection cover PPE for PE cable (pack of 10)	118838
Protection cover ETFE for FEP cable (pack of 10)	118839
Humidity protection element (pack of 10)	119217
Calibration certificate	104551

Connection box



Cable hanger



**Huba Control AG**

Industriestrasse 17  
5436 Würenlos, Switzerland  
Tel. +41 56 436 82 00  
info.ch@hubacontrol.com



Consultancy in your area  
[hubacontrol.com/en/worldwide](https://hubacontrol.com/en/worldwide)

